

## Nominal data

Type	612 JH	
Nominal voltage	VDC	12
Nominal voltage range	VDC	7 .. 13.6
Speed	min <sup>-1</sup>	11700
Power input	W	7.7
Min. ambient temperature	°C	-20
Max. ambient temperature	°C	70
Air flow	m <sup>3</sup> /h	70
Sound power level	B	6.4
Sound pressure level	dB(A)	53

ml = Max. load · me = Max. efficiency · fa = Running at free air · cs = Customer specs · cu = Customer unit  
Subject to alterations

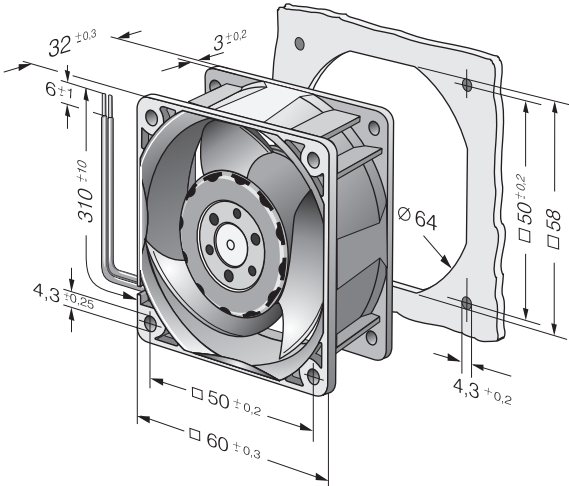
### Technical features

<b>Housing material</b>	Fibreglass-reinforced plastic (PBT)
<b>Impeller material</b>	Fibreglass-reinforced plastic (PA)
<b>Mass</b>	0.100 kg
<b>Dimensions</b>	60 x 60 x 32 mm
<b>Direction of air flow</b>	Air exhaust over bars
<b>Direction of rotation</b>	Right, looking at rotor
<b>Bearing</b>	Ball bearings
<b>Lifetime L10 at 40 °C</b>	57500 h
<b>Lifetime L10 at maximum temperature</b>	27500 h
<b>Connection line</b>	Single strands AWG 24, TR 64, bared and tin-plated.
<b>Motor protection</b>	Protected against reverse polarity and locking.
<b>Locked-rotor protection</b>	With electronic blocking and overload protection
<b>Approval</b>	CE
<b>Option</b>	Special options: Speed signal Go / No-go alarm Alarm with limit speed External temperature sensor PWM control input Analogue control input Moisture protection

612 JH

# DC axial compact fan

## Product drawing



## Charts: Air flow

